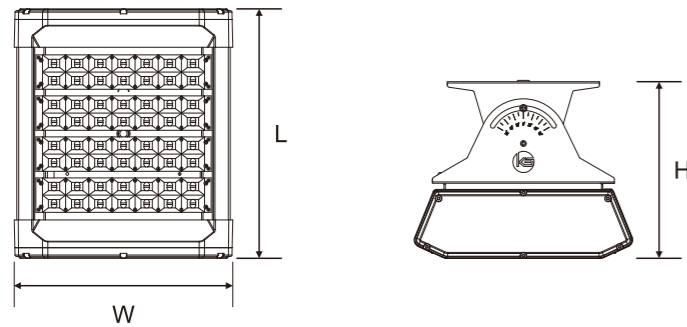


## LED Tunnel Light

### Dimensional drawing

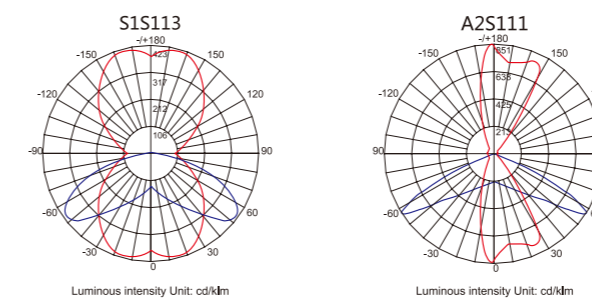


Model Number	Nominal Power (W)	System Power (W)	# of LEDs	Flux @ 5000K (lm)	Weight	Dimensions (mm)
TL2R28012	30	33	1 x 14	2640	6.00 kg	L221 x W330 x H267
TL2R28022	60	62	2 x 14	5270	6.83 kg	L253 x W330 x H267
TL2R28032	90	93	3 x 14	7905	7.60 kg	L315 x W330 x H267
TL2R28042	120	123	4 x 14	10455	9.60 kg	L377 x W330 x H267
TL2R28052	150	155	5 x 14	13175	10.50 kg	L439 x W330 x H267
TL2R28062	180	185	6 x 14	15725	11.20kg	L501 x W330 x H267
TL2R28072	210	216	7 x 14	18360	12.34 kg	L563 x W330 x H267
TL2R28082	240	246	8 x 14	20910	13.10 kg	L625 x W330 x H267
TL2R28092	270	277	9 x 14	23545	13.40 kg	L687 x W330 x H267
TL2R28102	300	308	10 x 14	26180	14.89 kg	L749 x W330 x H267

### Optical Specs:

LED Color Temperature	5000K (Options: 4000K and 3000K)
Color Rendering Index	Ra>70 (Options: Ra=75, Ra=80)
Light Distribution & LENS Kit	S1S113 (145°H x 105°V)
Options	A2S111 (134°H x 70°V)
Operating Temperature & Humidity	-40 C ~ 50 C / 10 ~ 95RH
Storage Temperature	-20 C ~ 45 C
Classification	IP66, Class I.
L70 hours @ 25 C	100,000

### Light Distribution Curve



### Electrical & other general Specs

Input	120~200~240~277V 50/60Hz (Option: 347~480V 50/60Hz)
Power Factor	>0.95
Drive Current	700mA (Options: 350mA, 525mA)

### Material

Origin of LED Light Source	CREE or Lumileds
Origin of LED Driver(s)	Philips
Housing	Die cast aluminium
Heatsink	Extruded aluminium
Optics lens	Polycarbonate plastic

